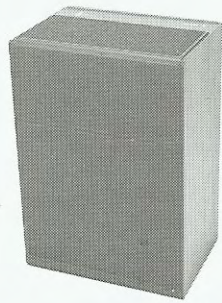


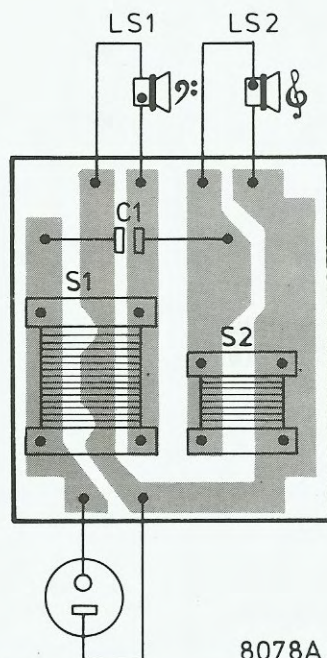
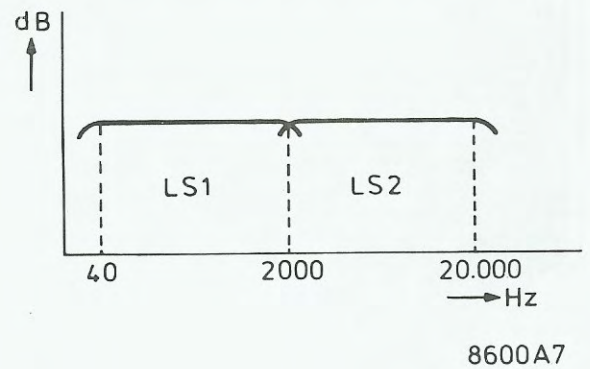
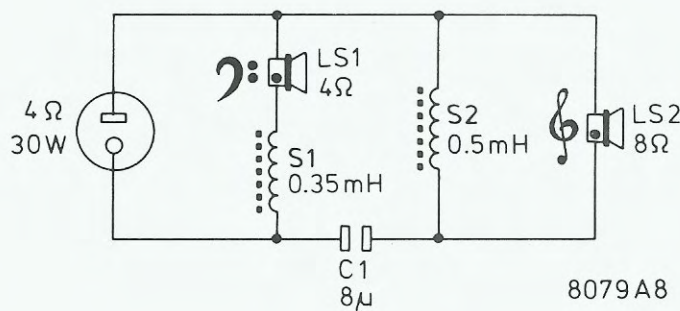
Service  
Service  
Service



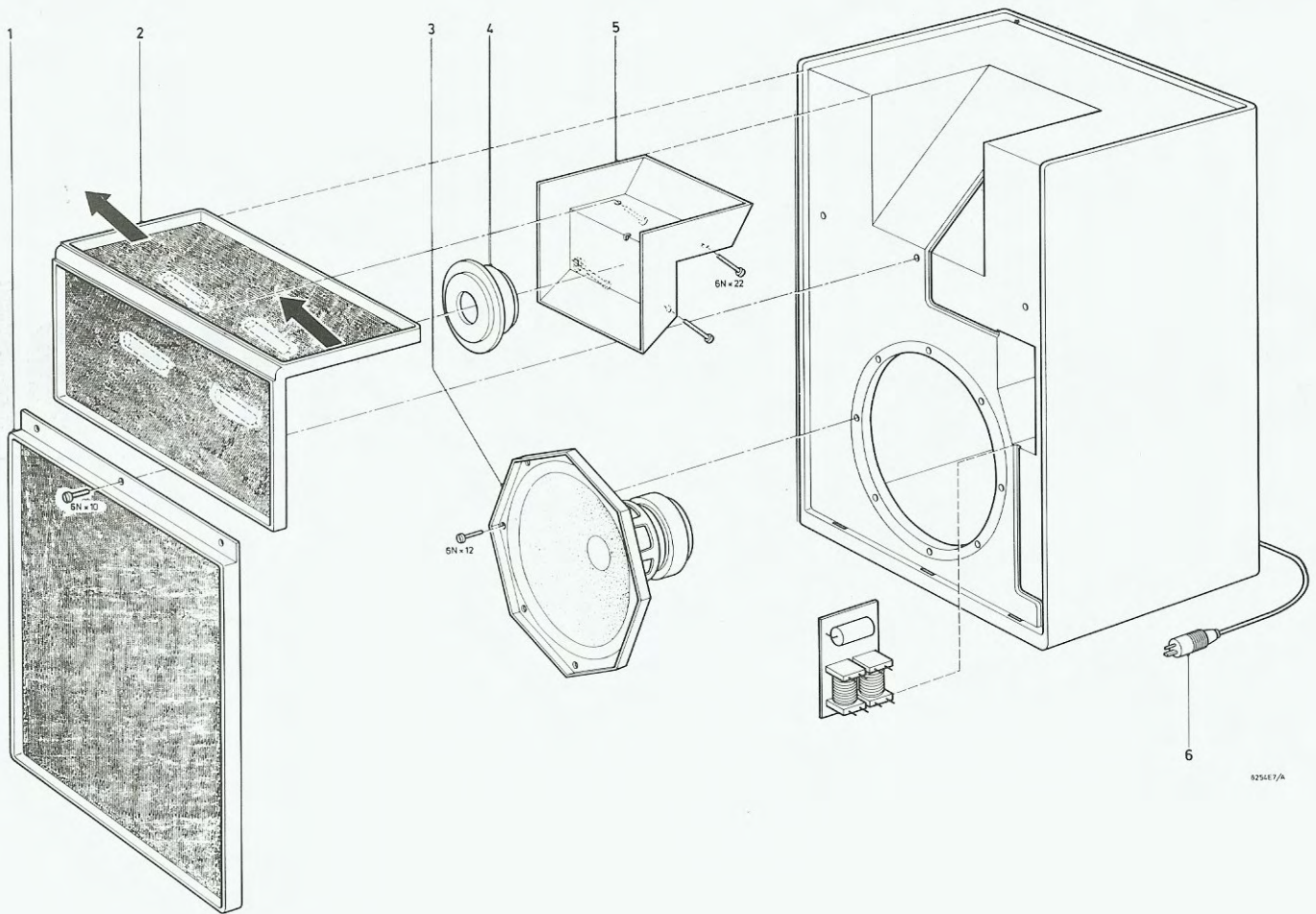
8666A2

20 litres  
290x430x230 mm

# Service Manual



- S1 4822 157 50809
- S2 4822 156 10427
- C1 4822 124 20818
- LS1 4822 240 60066 – AD8061W4
- LS2 4822 240 70014 – AD0162T8



825617/A

- |   |     |                           |
|---|-----|---------------------------|
| 1 |     | 4822 445 30036            |
| 2 |     | 4822 445 30035            |
| 3 | LS1 | 4822 240 60066 – AD8061W4 |
| 4 | LS2 | 4822 240 70014 – AD0162T8 |
| 5 |     | 4822 445 40012            |
| 6 |     | 4822 264 30041            |